

6 - 46x55 | Inset

enjoyment of the fire

expanded view on the fire
precise control of the combustion
natural convection

simple installation procedure

installation box
small depth
oblique or vertical smoke flue outlet
external air inlet from below or from behind
integrated convection (no hoses or grilles)

economical

low wood consumption
high efficiency

low pollutant levels

low emission of fine particles



TECHNICAL OVERVIEW

GENERAL

TYPE OF STOVE	fitted
MATERIALS	steel + cast iron
COLOUR	Stuv Black
LOADING	manual
FUEL	wood
LOG POSITION	vertical
LOG LENGTH	20 cm

WEIGHT / SIZE

WEIGHT	
Ø OF SMOKE FLUE	129 mm
Ø OF OUTSIDE AIR INLET	100 mm

AIR

DIRECT EXTERNAL INLET	○*
PRIMARY AIR CONTROL	✓
SECONDARY AIR CONTROL	✓
POST-COMBUSTION	✓
AIR-TIGHTNESS	++++
OPERATES WITHOUT FAN	✓
OVERHEATING INDICATOR	✓

* Below or rear intake

PERFORMANCE

NOMINAL OUTPUT	4.9 kW
OUTPUT RANGE	4 - 7 kW
EFFICIENCY	83%
CO EMISSIONS	0.08%
FINE PARTICLE EMISSIONS	21 mg/Nm ³
WOOD CONSUMPTION RANGE	1.1 - 1.9 kg/h
MINIMUM DRAW	12 Pa
SMOKE MASS FLOW	4.2 g/s
AVERAGE TEMP. OF SMOKE	225°C
CONSUMPTION OF ROOM AIR FOR COMBUSTION	11 m ³ /h
ENERGY EFFICIENCY INDEX (EEI)	111
ENERGY EFFICIENCY CLASS	A+

MINIMUM THICKNESS OF INSULATION BETWEEN STOVE AND COMBUSTIBLE MATERIALS

BACK FACE	9 cm
SIDE FACE	4 cm
TOP FACE	11 cm
BOTTOM FACE	5 cm

ACCESSORIES / EQUIPMENT

FAN	X
-----	---

LEGEND

✓	STANDARD
X	UNAVAILABLE
○	OPTIONAL

Conforms with:
- DEFRA pending



6 - 66x50 | Inset

stuv

enjoyment of the fire

expanded view on the fire
 precise control of the combustion
 natural or fan assisted convection

simple installation procedure

Installation box
 small depth
 oblique or vertical smoke flue outlet
 external air inlet from below or from behind
 integrated convection (Ducted convection is possible as option)

economical

low wood consumption
 high efficiency

low pollutant levels

low emission of fine particles



TECHNICAL OVERVIEW

GENERAL

TYPE OF STOVE	fitted
MATERIALS	steel + cast iron
COLOUR	Stuv Black
LOADING	manual
FUEL	wood
LOG POSITION	vertical
LOG LENGTH	40 cm

WEIGHT / SIZE

WEIGHT	
Ø OF SMOKE FLUE	153 mm
Ø OF HOT AIR OUTLETS	100 mm
Ø OF OUTSIDE AIR INLET	100 mm

AIR

DIRECT EXTERNAL INLET	✓*
PRIMARY AIR CONTROL	✓
SECONDARY AIR CONTROL	✓
POST-COMBUSTION	✓
AIR-TIGHTNESS	++++
OPERATES WITHOUT FAN	✓
OVERHEATING INDICATOR	✓

* Below or rear intake

PERFORMANCE

NOMINAL OUTPUT	7 kW
OUTPUT RANGE	5-9 kW
EFFICIENCY	77%
CO EMISSIONS	< 0.10%
FINE PARTICLE EMISSIONS	< 30 mg/ Nm ³
WOOD CONSUMPTION RANGE	1.5-2.6 kg/h
MINIMUM DRAW	12 Pa
SMOKE MASS FLOW	5.5 g/s
AVERAGE TEMP. OF SMOKE	292°C
CONSUMPTION OF ROOM AIR FOR COMBUSTION	17 m ³ /h
ENERGY EFFICIENCY INDEX (EEI)	103
ENERGY EFFICIENCY CLASS	A

MINIMUM THICKNESS OF INSULATION BETWEEN STOVE AND COMBUSTIBLE MATERIALS

BACK FACE
SIDE FACE
TOP FACE
BOTTOM FACE

ACCESSORIES / EQUIPMENT

FAN	○
-----	---

LEGEND

✓	STANDARD
✗	UNAVAILABLE
○	OPTIONAL

Conforms with:
 - DEFRA pending



6 - 76x55 | Inset

stuv

enjoyment of the fire

expanded view on the fire
 precise control of the combustion
 natural or fan assisted convection

simple installation procedure

Installation box
 small depth
 oblique or vertical smoke flue outlet
 external air inlet from below or from behind
 integrated convection (Ducted convection is possible as option)

economical

low wood consumption
 high efficiency

low pollutant levels

low emission of fine particles



TECHNICAL OVERVIEW

GENERAL

TYPE OF STOVE	fitted
MATERIALS	steel + cast iron
COLOUR	Stuv Black
LOADING	manual
FUEL	wood
LOG POSITION	vertical
LOG LENGTH	50 cm

WEIGHT / SIZE

WEIGHT	
Ø OF SMOKE FLUE	153 mm
Ø OF HOT AIR OUTLETS	100 mm
Ø OF OUTSIDE AIR INLET	100 mm

AIR

DIRECT EXTERNAL INLET	✓*
PRIMARY AIR CONTROL	✓
SECONDARY AIR CONTROL	✓
POST-COMBUSTION	✓
AIR-TIGHTNESS	++++
OPERATES WITHOUT FAN	✓
OVERHEATING INDICATOR	✓

* Below or rear intake

PERFORMANCE

NOMINAL OUTPUT	8.5 kW
OUTPUT RANGE	6 - 10 kW
EFFICIENCY	77%
CO EMISSIONS	0.07%
FINE PARTICLE EMISSIONS	17 mg/Nm ³
WOOD CONSUMPTION RANGE	1.7 - 2.9 kg/h
MINIMUM DRAW	12 Pa
SMOKE MASS FLOW	8.6 g/s
AVERAGE TEMP. OF SMOKE	283°C
CONSUMPTION OF ROOM AIR FOR COMBUSTION	23 m ³ /h
ENERGY EFFICIENCY INDEX (EEI)	103
ENERGY EFFICIENCY CLASS	A

MINIMUM THICKNESS OF INSULATION BETWEEN STOVE AND COMBUSTIBLE MATERIALS

BACK FACE	3 cm
SIDE FACE	8 cm
TOP FACE	8 cm
BOTTOM FACE	4 cm

ACCESSORIES / EQUIPMENT

FAN	○
-----	---

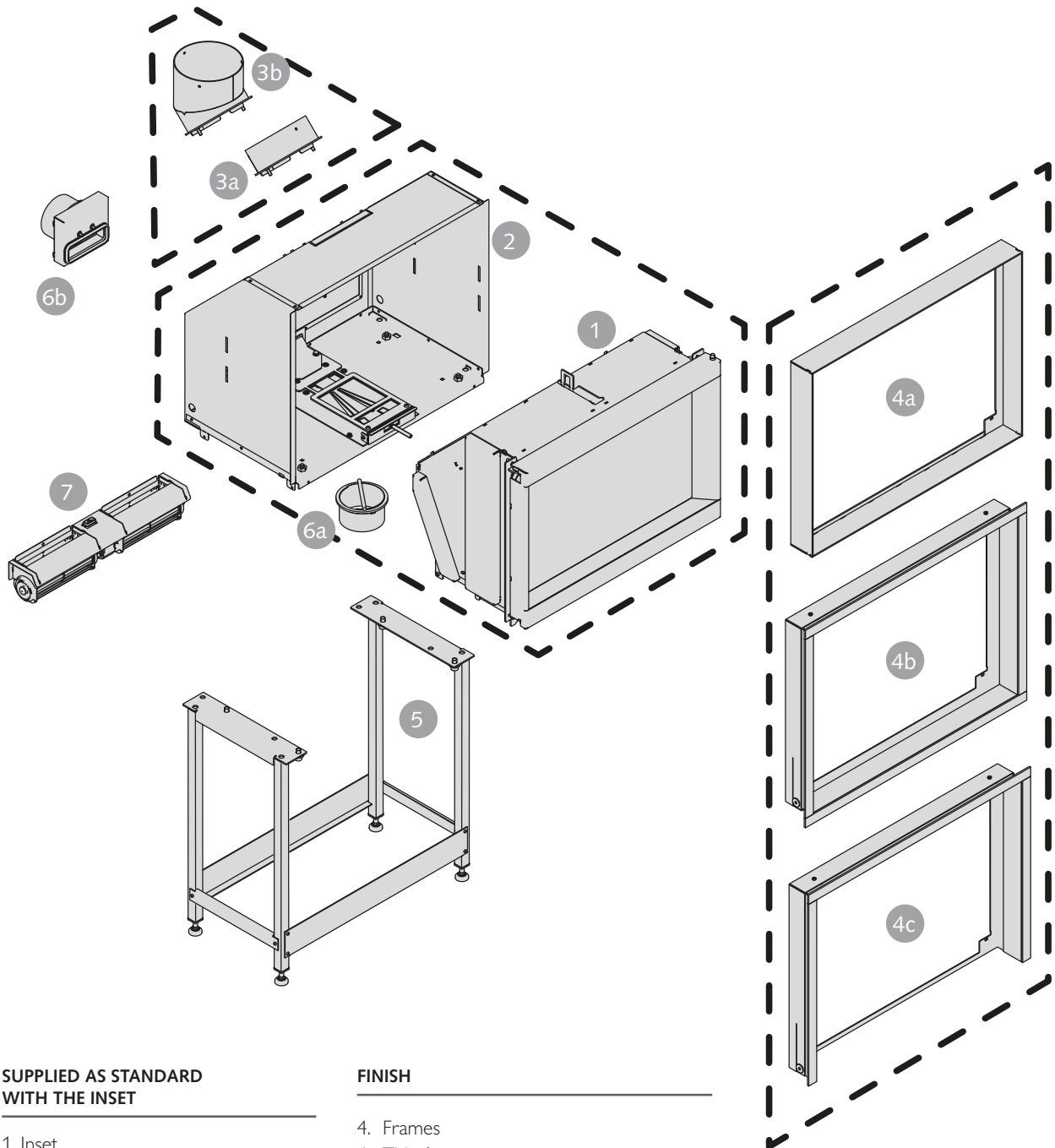
LEGEND

✓	STANDARD
✗	UNAVAILABLE
○	OPTIONAL

Conforms with:
 - DEFRA pending



STANDARD AND OPTIONAL ELEMENTS



SUPPLIED AS STANDARD WITH THE INSET

- 1. Inset
- 2. Installation box

FINISH

- 4. Frames
- 4a. Thin frame
- 4b. Fitted frame four sided
- 4c. Fitted frame three sided

SMOKE PIPE CONNECTION

- 3. Smoke outlets
- 3a. Oblique smoke outlet
- 3b. Vertical smoke outlet

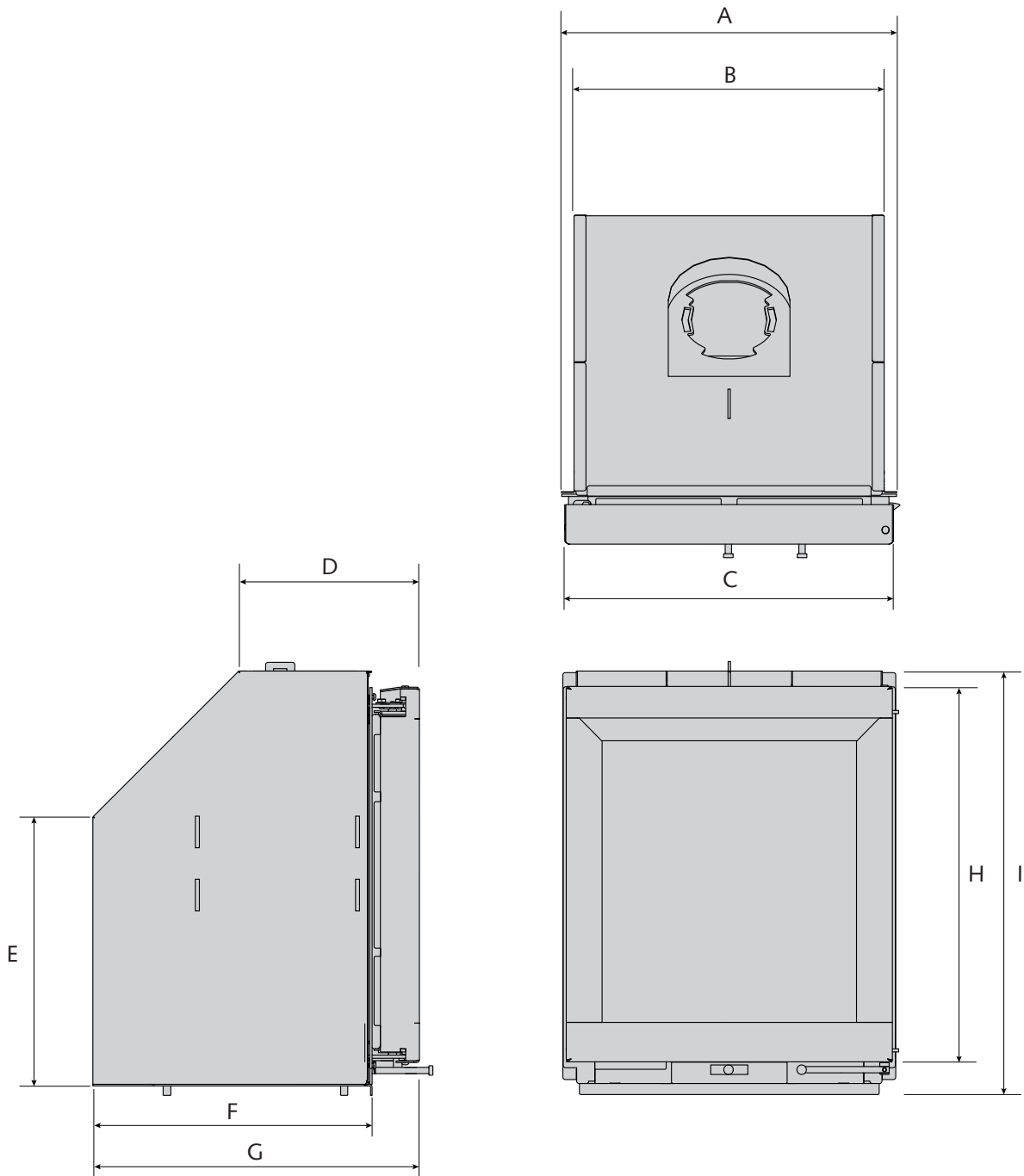
OPTIONAL

- 5. Support table
- 6. Air connection
- 6a. Air connection kit 100 mm below
- 6b. Air connection kit 100 mm rear
- 7. Fan

Stûv 6 - 46x55 | Inset



APPLIANCE DIMENSIONS



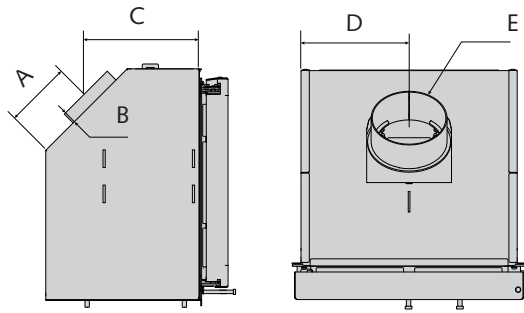
DIMENSIONS (MM)	A	B	C	D	E	F	G	H	I
Stûv 6 - 46x55	422	390	413	228	340	353	413	476	538

Stûv 6 - 46x55 | Inset



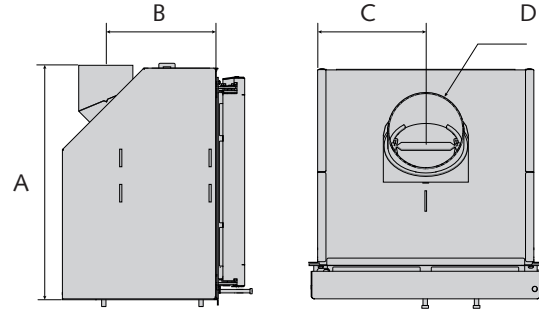
APPLIANCE DIMENSIONS

OBLIQUE SMOKE OUTLET



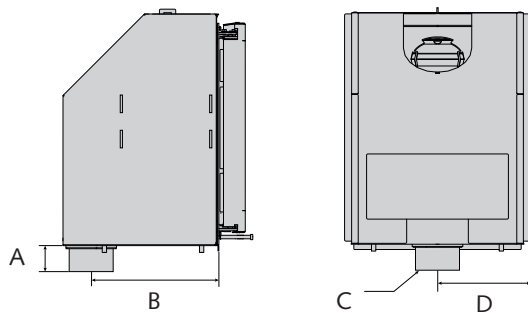
DIMENSIONS (MM)	A	B	C	D	E
Stûv 6 - 46x55	149	29	262	195	137

VERTICAL SMOKE OUTLET



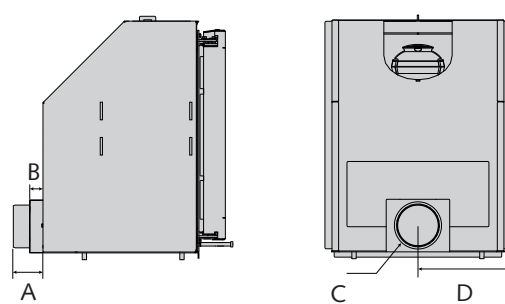
DIMENSIONS (MM)	A	B	C	D
Stûv 6 - 46x55	544	251	195	137

AIR CONNECTION KIT 100MM BELOW (OPTION)



DIMENSIONS (MM)	A	B	C	D
Stûv 6 - 46x55	59	290	100	195

AIR CONNECTION KIT 100MM REAR (OPTION)

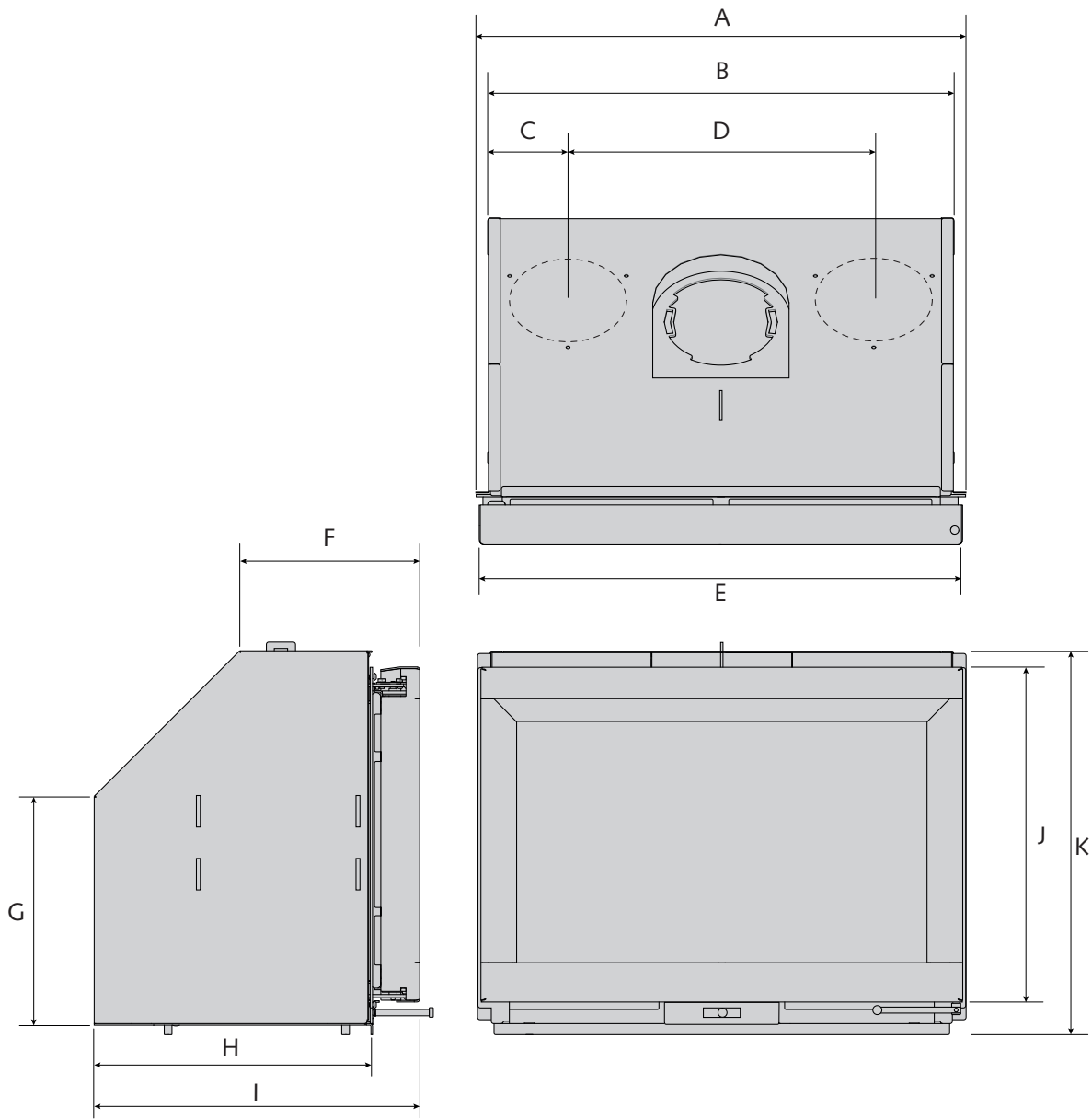


DIMENSIONS (MM)	A	B	C	D
Stûv 6 - 46x55	92	31	100	295

Stûv 6 | Inset



APPLIANCE DIMENSIONS

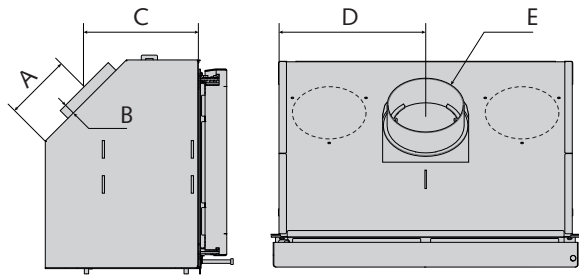


DIMENSIONS (MM)	A	B	C	D	E	F	G	H	I	J	K
Stûv 6 - 66X50	622	590	101	388	613	228	290	353	413	426	488
Stûv 6 - 76X55	722	690	101	488	713	228	340	353	413	476	538

Stûv 6 | Inset

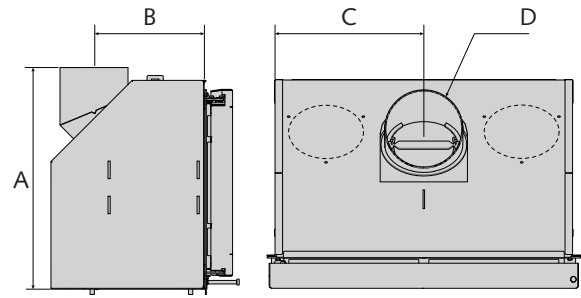
APPLIANCE DIMENSIONS

OBLIQUE SMOKE OUTLET



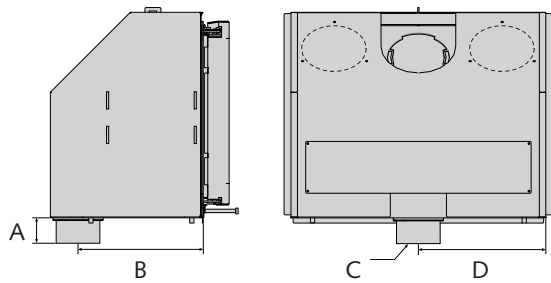
DIMENSIONS (MM)	A	B	C	D	E
Stûv 6 - 66X50	149	29	262	295	157
Stûv 6 - 76X55	149	29	262	345	187

VERTICAL SMOKE OUTLET



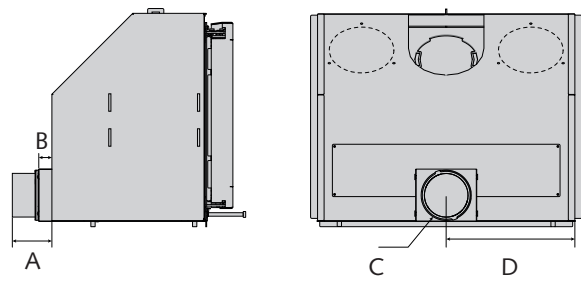
DIMENSIONS (MM)	A	B	C	D
Stûv 6 - 66X50	478	251	295	157
Stûv 6 - 76X55	555	251	345	187

AIR CONNECTION KIT 100MM BELOW (OPTION)

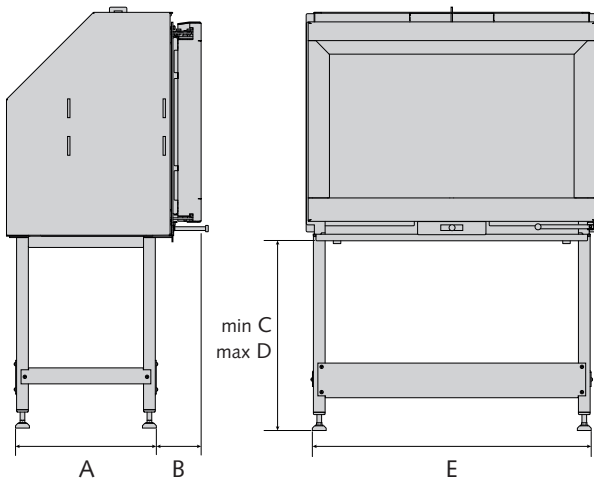


DIMENSIONS (MM)	A	B	C	D
Stûv 6 - 66X50	59	290	100	295
Stûv 6 - 76X55	59	290	100	345

AIR CONNECTION KIT 100MM REAR (OPTION)

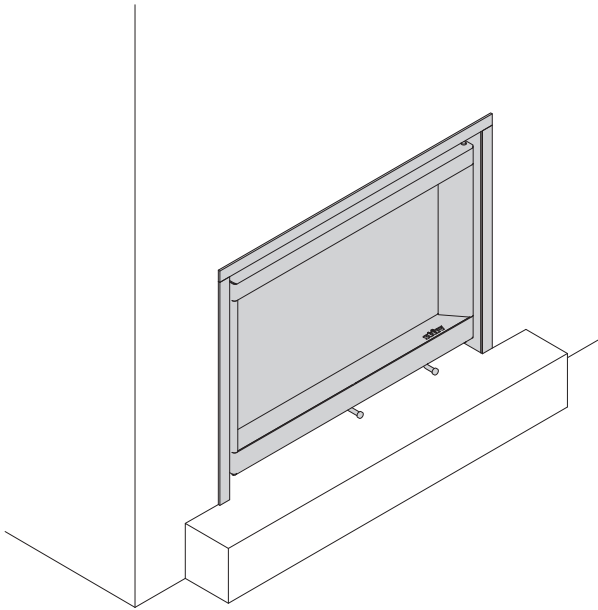


DIMENSIONS (MM)	A	B	C	D
Stûv 6 - 66X50	92	31	100	295
Stûv 6 - 76X55	92	31	100	295

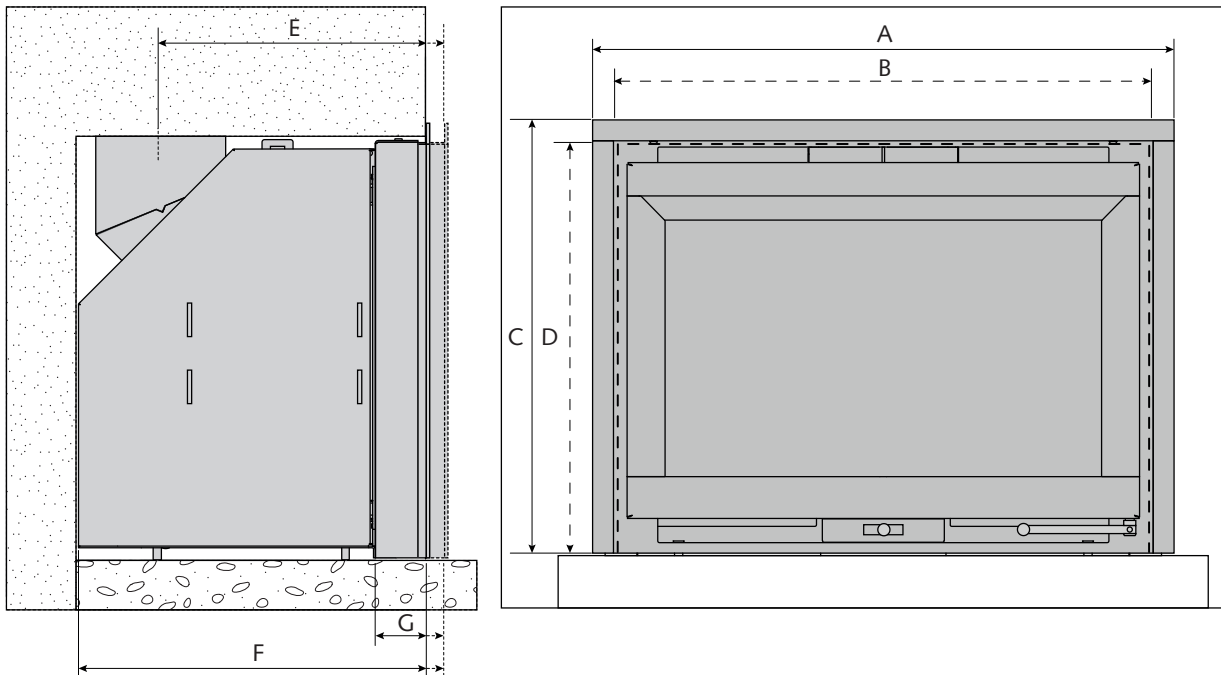
APPLIANCE DIMENSIONS
SUPPORT TABLE


DIMENSIONS (MM)	A	B	C	D	E
Stûv 6 - 46x55	300	95	50	600	496
Stûv 6 - 66x50	300	95	50	600	596
Stûv 6 - 76x55	300	95	50	600	696

Stûv 6 | Fitted frame three sided

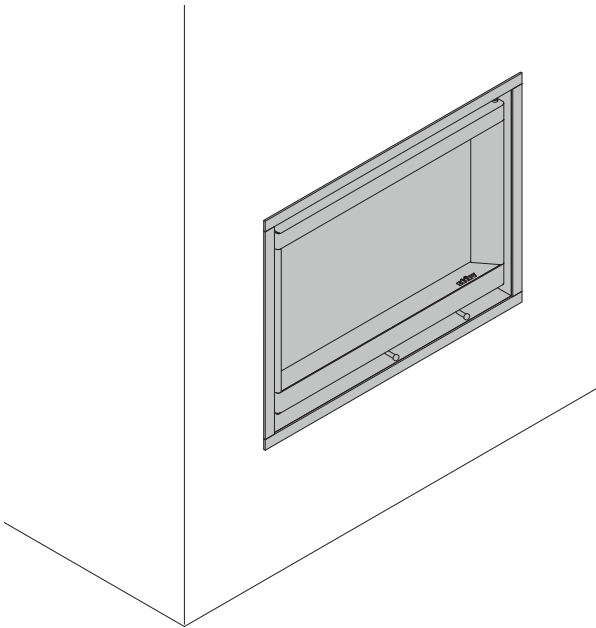


DIMENSIONS

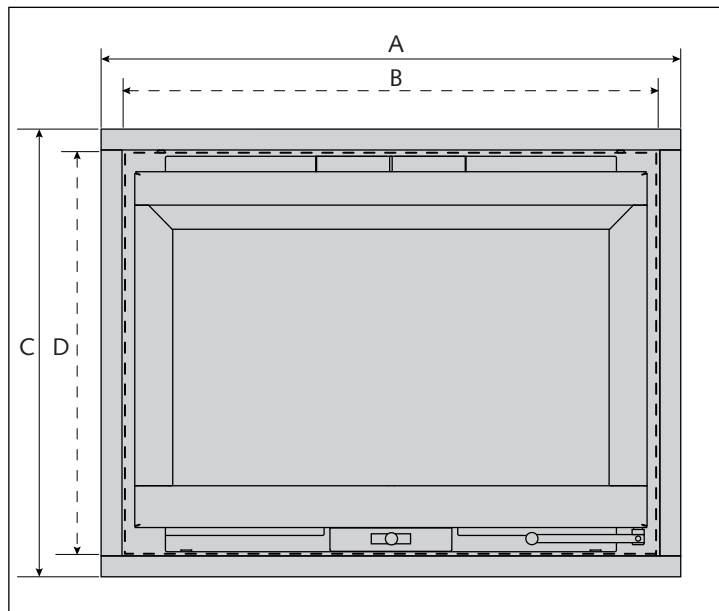
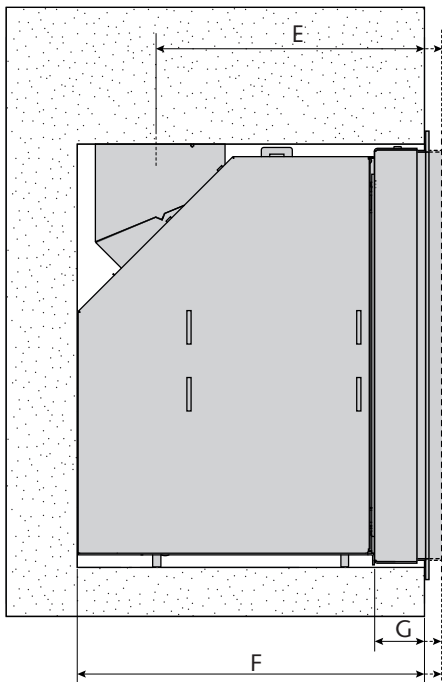


DIMENSIONS (MM)	A	B	C	D	E	F	G
Stûv 6 - 46x55	496	456	567	545	316 (-0/+20)	413 (-0/+20)	60 (-0/+20)
Stûv 6 - 66X50	696	656	519	495	316 (-0/+20)	413 (-0/+20)	60 (-0/+20)
Stûv 6 - 76X55	796	756	567	545	316 (-0/+20)	413 (-0/+20)	60 (-0/+20)

Stûv 6 | Fitted frame four sided

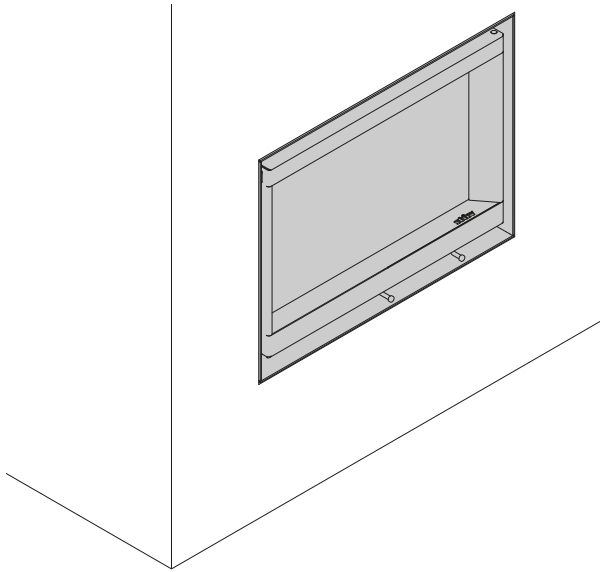


DIMENSIONS

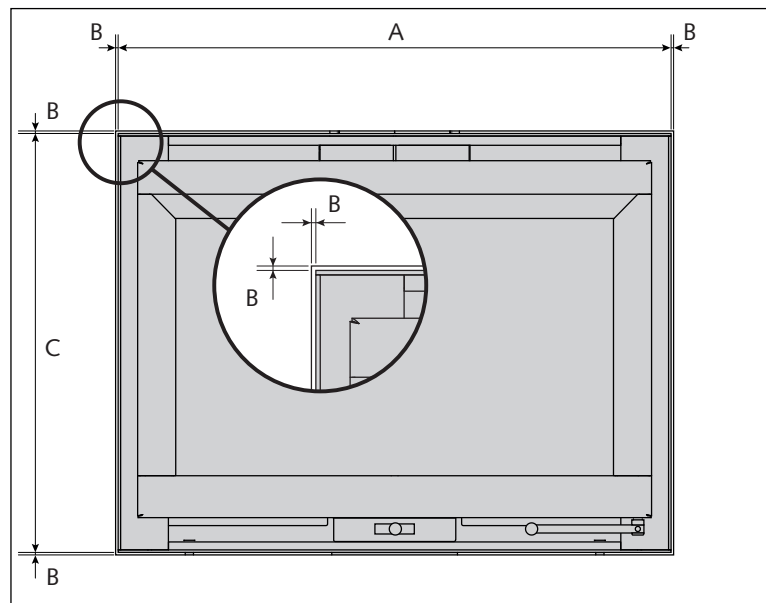
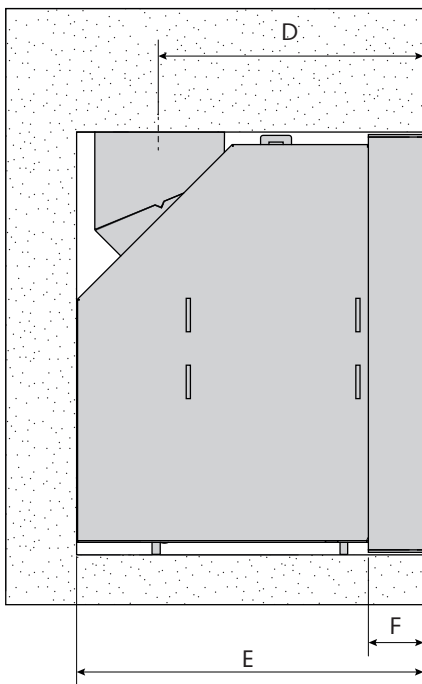


DIMENSIONS (MM)	A	B	C	D	E	F	G
Stûv 6 - 46x55	494	456	586	536	316 (-0/+20)	413 (-0/+20)	60 (-0/+20)
Stûv 6 - 66x50	694	656	536	486	316 (-0/+20)	413 (-0/+20)	60 (-0/+20)
Stûv 6 - 76x55	794	756	586	536	316 (-0/+20)	413 (-0/+20)	60 (-0/+20)

Stûv 6 | Thin frame (recessed)



DIMENSIONS

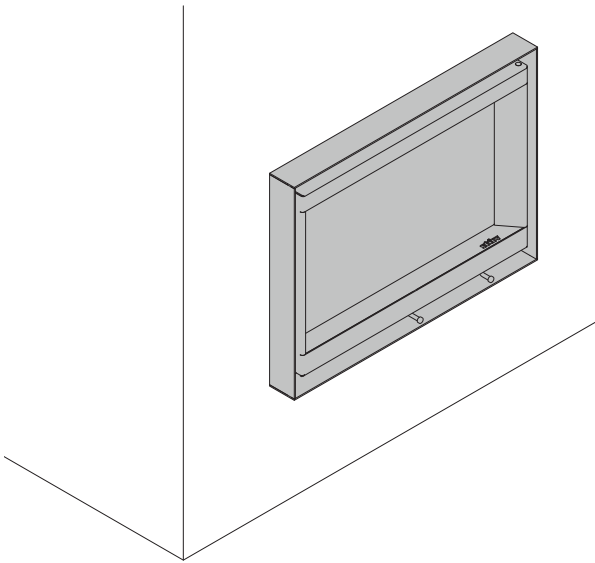


DIMENSIONS (MM)	A	B*	C	D	E	F
Stûv 6 - 46x55	460	4	550	317	414	67
Stûv 6 - 66x50	660	4	500	317	414	67
Stûv 6 - 76x55	760	4	550	317	414	67

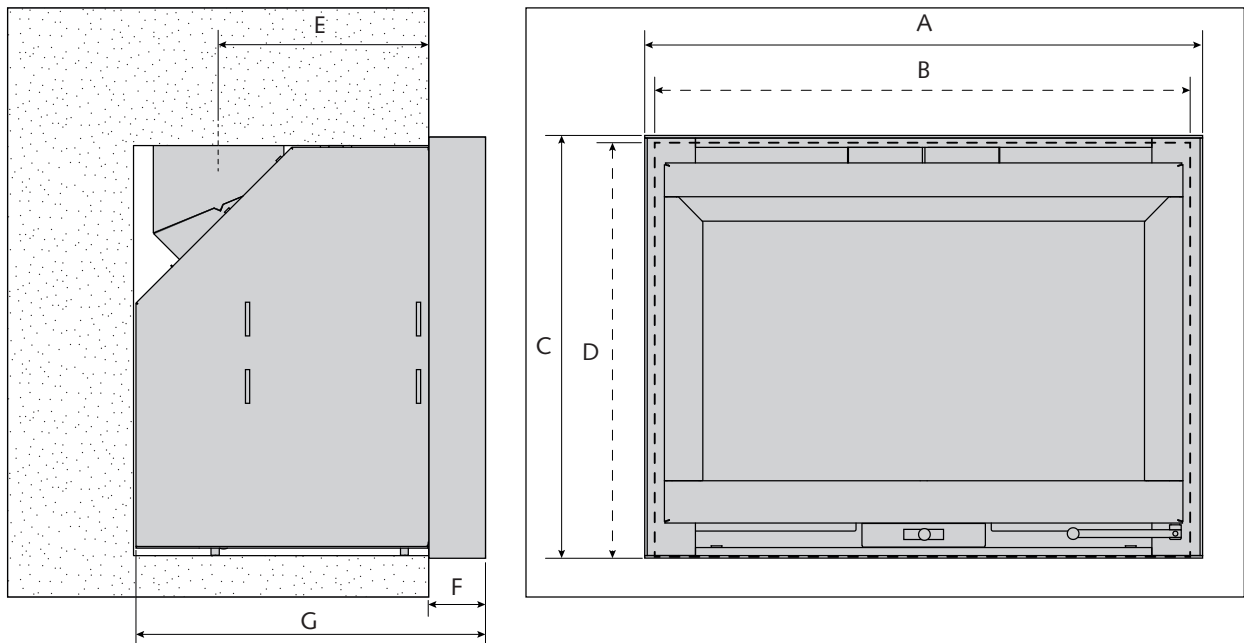
* Hollow seal to be respected around the finishing frame

Stûv 6 | Thin frame

stûv



DIMENSIONS



DIMENSIONS (MM)	A	B	C	D	E	F	G
Stûv 6 - 46x55	460	422	550	538	250	67	414
Stûv 6 - 66X50	660	621	500	488	250	67	414
Stûv 6 - 76X55	760	722	550	538	250	67	414