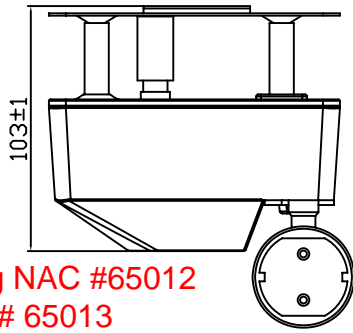


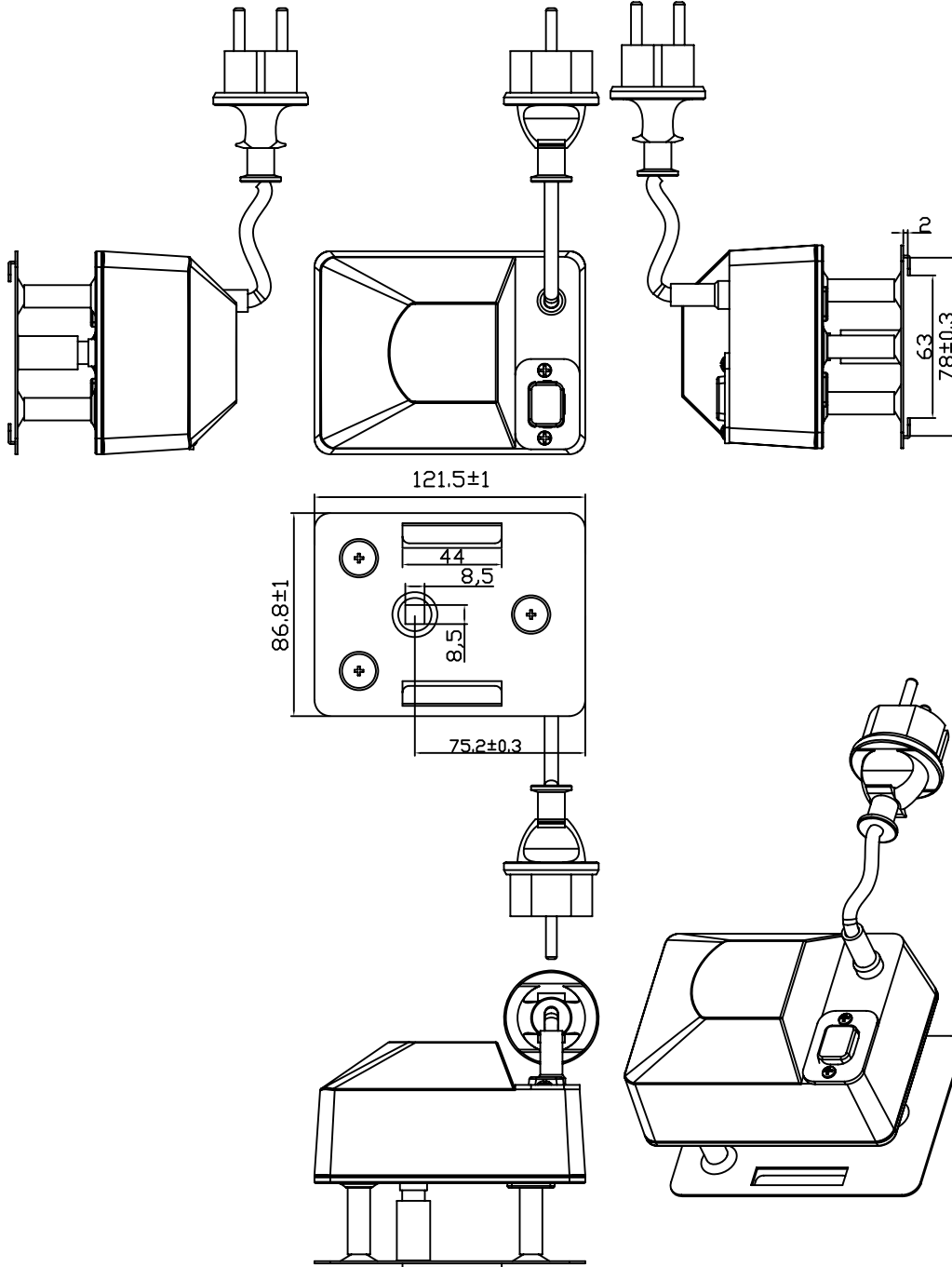
| | | | |
|-----|--------|------|--------------------|
| ECN | REWORK | DATE | MODIFY DESCRIPTION |
| | | | |
| | | | |

| | |
|------------------|------------------|
| Product | RPM Motor |
| Item | #CS-6035 |
| Rated Voltage | 220-240V AC 50Hz |
| Torque | 12000gf CM |
| RPM | 2.0-2.4 RPM |
| Insulation Class | Class A |
| Temp Range | -10°C ~ +60°C |
| Certificate | CE , C-Tick |

NAC Napoleon Appliance Corporation
Date: Jun 20, 2012
Part#: CS-6035.pdf



CS-6035-CE with European plug NAC #65012
 CS-6035-GB with UK plug NAC # 65013



| | | | | | | | | |
|---|---------|---------|---------------------|--------|-------------|--------------------|--------------------|-------------|
| Tolerances unless otherwise specified (Unit:mm) | | | DRAWING NAME: 產品外觀圖 | | | PARTS NAME: CS6035 | | |
| CLASS | (TOL-A) | (TOL-B) | UNITS: | SCALE: | PROJECTION: | MATERIAL: | Surface treatment: | |
| 0~10 | ±0.05 | ±0.10 | mm | Free | ⊕ | | | |
| 10~50 | ±0.10 | ±0.20 | | | | APPROVED BY: | CHECKED BY: | DRAWING BY: |
| 50~100 | ±0.20 | ±0.30 | | | | | | |
| 100~ | ±0.30 | ±0.50 | | | | | | |
| ANGLE | ±1/2° | ±1° | | | | | | |